

**SOUNDPROOF H-17U 750X1000**



## SOUNDPROOF H-17U 750X1000



### Technical Details

#### Features

19" Compatibility  
Wooden Panels  
Sliding Cable Entry  
Brush Organizer  
Insulation  
Fan Module

#### Dimensions

Width : 750 mm  
Height : 17U  
Depth : 1000 mm

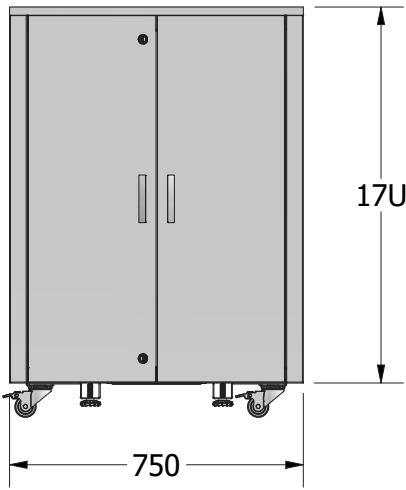
#### Material

1.2mm Steel

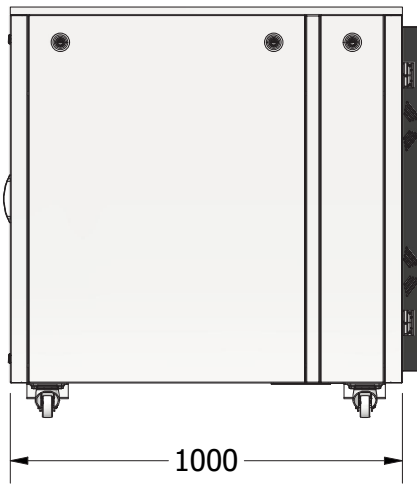
#### Appearance

Finish Surface : Powder Coating  
Color : RAL9005

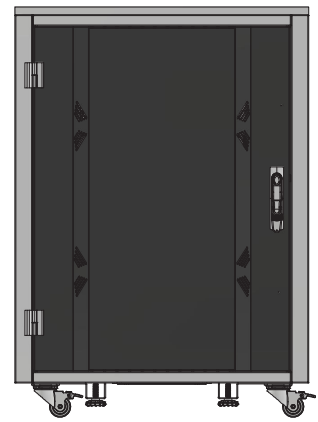
**SOUNDPROOF H-17U 750X1000**



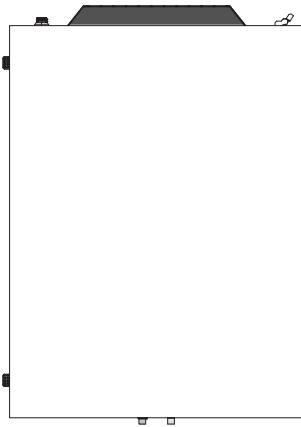
Front View



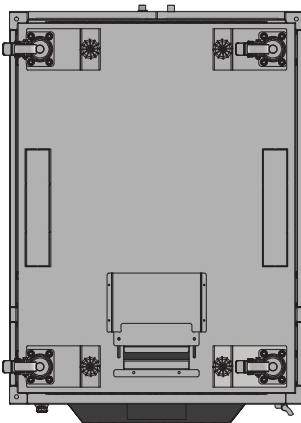
Side View



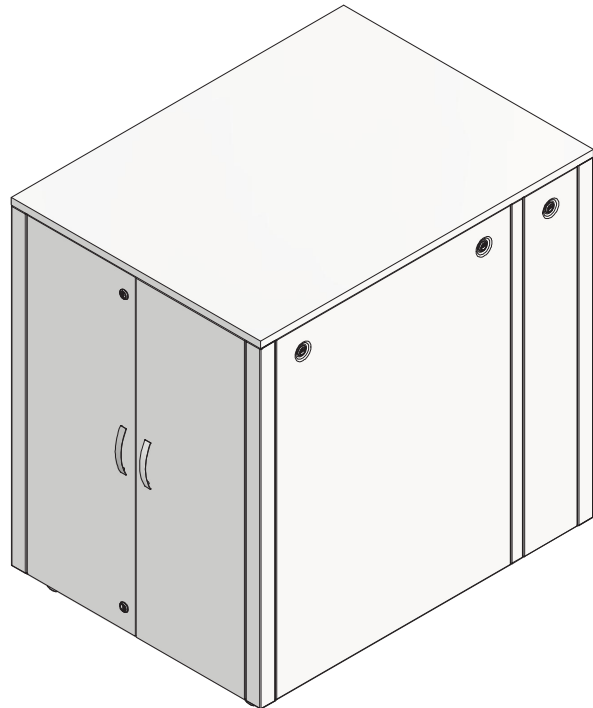
Rear View



Top View



Bottom View



Front Isometric View

**SOUNDPROOF H-17U 750X1000**

